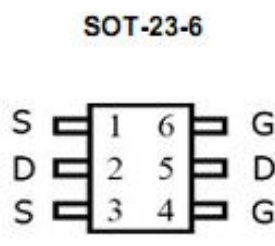
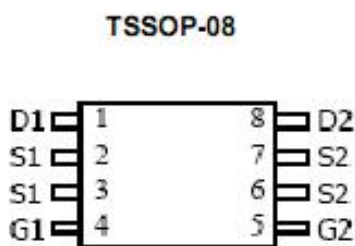


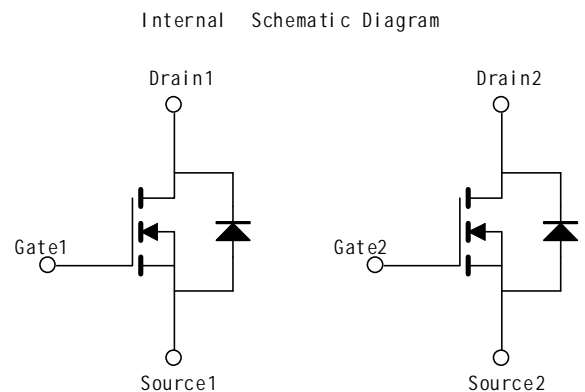
1. Features

- n RDS(ON), Vgs@1.8V, Ids@2.0A = 75mΩ
- n RDS(ON), Vgs@2.5V, Ids@3.5A = 38mΩ
- n RDS(ON), Vgs@4.0V, Ids@4.5A = 30mΩ
- n RDS(ON), Vgs@4.5V, Ids@4.5A = 28mΩ
- n RDS(ON), Vgs@10V, Ids@5.0A = 25mΩ
- n Advanced trench process technology
- n High Density Cell Design For Ultra Low On-Resistance
- n High Power and Current handing capability
- n Ideal for Li ion battery pack applications

2. Pin information



Top View



3. Maximum Ratings and Thermal Characteristics

(T_A = 25°C unless otherwise noted)

Parameter	Symbol	Limit	Unit	
Drain-Source Voltage	V _{DS}	20	V	
Gate-Source Voltage	V _{GS}	±12		
Continuous Drain Current ¹	I _D	5	A	
Pulsed Drain Current ²	I _{DM}	20		
Maximum Power Dissipation	P _D	TA = 25°C	2	W
		TA = 75°C	1.28	
Operating Junction and Storage Temperature Range	T _{J1} T _{stg}	-55 to 150	°C	
Junction-to-Ambient Thermal Resistance (PCB mounted) ³	R _{OUA}	62.5	°C/W	

- Note: 1. Fused current that based on wire numbers and diameter
 2. Repetitive Rating: Pulse width limited by the maximum junction temperature
 3. 1-in² 2oz Cu PCB board

4. ELECTRICAL CHARACTERISTICS

Parameter	Symbol	Test Condition	Min	Typ	Max	Unit
Static						
Drain-Source Breakdown Voltage	BV_{DSS}	$V_{GS} = 0V, I_D = 250\mu A$	20			V
Drain-Source On-State Resistance	$R_{DS(ON)}$	$V_{GS} = 1.8V, I_D = 2.0A$		53.0	75.0	mΩ
Drain-Source On-State Resistance	$R_{DS(ON)}$	$V_{GS} = 2.5V, I_D = 3.5A$		30.0	38.0	
Drain-Source On-State Resistance	$R_{DS(ON)}$	$V_{GS} = 4.0V, I_D = 4.5A$		23.0	30.0	
Drain-Source On-State Resistance	$R_{DS(ON)}$	$V_{GS} = 4.5V, I_D = 4.5A$		22.0	28.0	
Drain-Source On-State Resistance	$R_{DS(ON)}$	$V_{GS} = 10V, I_D = 5.0A$		20.0	25.0	
Gate Threshold Voltage	$V_{GS(th)}$	$V_{GS} = V_{GS}, I_D = 250\mu A$	0.5	0.75	1	V
Zero Gate Voltage drain Current	I_{DSS}	$V_{GS} = 20V, V_{GS} = 0V$			1	μA
Gate Body Leakage	I_{GSS}	$V_{GS} = \pm 12V, V_{DS} = 0V$			±100	nA
Dynamic ³						
Total Gate Charge	Q_G	$V_{DS} = 10V, I_D = 6A$ $V_{GS} = 4.5V$		6.24	8.11	nC
Gate-Source Charge	Q_{GS}			1.64	2.13	
Gate-Drain Charge	Q_{GB}			1.34	1.74	
Turn-On Delay Time	$T_{d(on)}$	$V_{DD} = 10V, I_D = 6A$ $I_D = 1A, V_{GS} = 4.5V$		10.4	20.8	ns
Turn-On Rise Time	T_r			4.4	8.8	
Turn-Off Delay Time	$T_{d(off)}$			27.36	54.72	
Turn-Off Fall Time	T_f			4.16	8.32	
Input Capacitance	C_{iss}	$V_{DS} = 8V, V_{GS} = 0V$ $f = 1.0MHz$		522.3		pF
Output Capacitance	C_{oss}			98.48		
Reverse Transfer Capacitance	C_{rss}			74.69		
Source-Drain Diode						
Max.Diode Forward Current	I_S				1.7	A
Diode Forward Voltage	V_{SD}	$I_S = 1.7A, V_{GS} = 0V$		0.74		V

Note: Pulse test: pulse width $\leq 300\mu s$, duty cycle $\leq 2\%$

3. Guaranteed by design; not subject to production testing

5. Typical Characteristics Curves ($T_a=25^\circ\text{C}$, unless otherwise note)

